



XPS Foam Board Systems

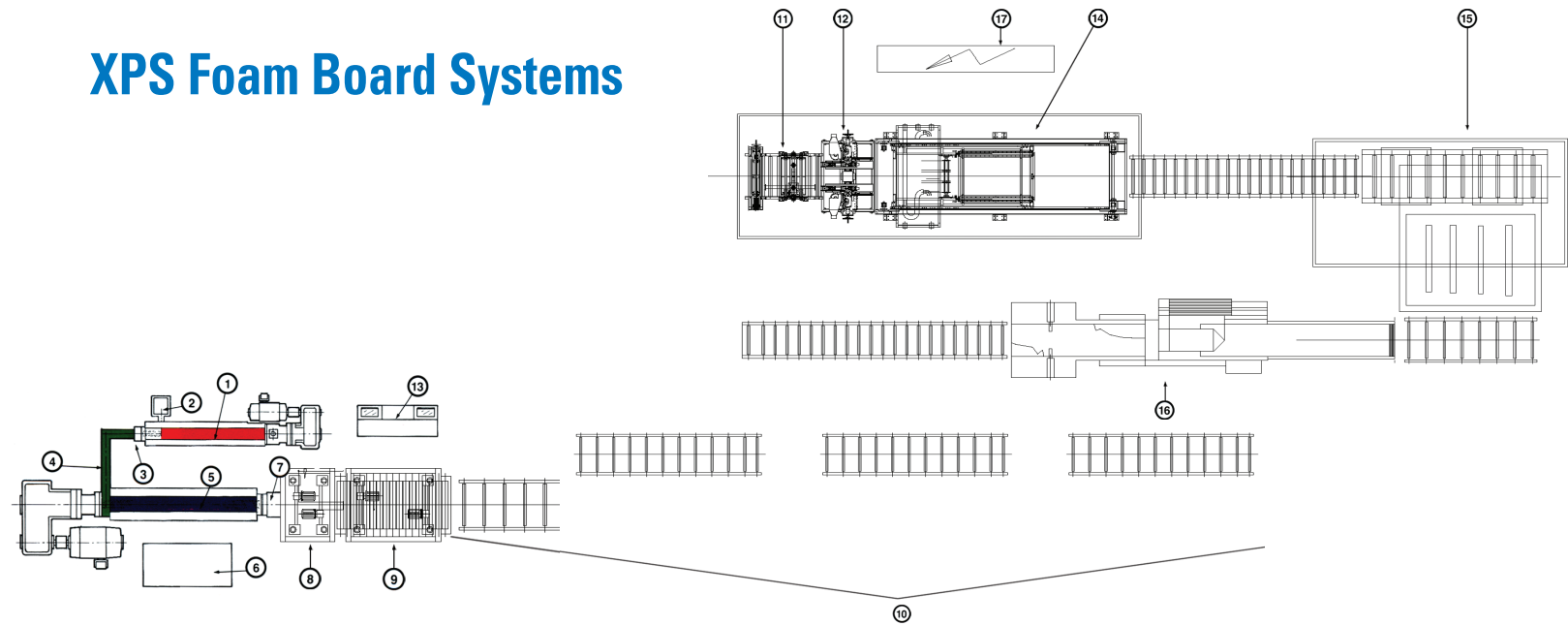
Overview

We supply a full range of equipment for foam board from 3/4 inch to 6 inches (20 to 150mm) thick, cut to size at any length. We work with several leading companies to integrate technology for cooling, conveying, and sizing of board material products.

Features

- Flat die and calibration systems available for the continuous extrusion and shaping of foam boards used for temperature insulation.
- Adjustment features are incorporated within the die and calibration unit to maintain uniform thickness with minimal edge trim.
- Board die available for 24-inch (600mm) to 48-inch (1200mm) wide board.
- Systems for many applications including ceiling tiles, insulation board, furniture padding, point-of-purchase displays, poster board, signage and more.

XPS Foam Board Systems



(1) Primary Extruders

- Single or twin screw Thermatic® series extruders
- Patented screw designs for foam
- Dual T/C temperature control

(2) Gas Injection Systems

- Hydrocarbon & atmospheric blowing agents
- Mass flow meter flow control
- Dual gas blending systems

(3) Screen Changers

- Slide plate and continuous styles available

(4) Melt Transfer Pipe

- Built for 10,000 psi (689 bar) operation
- Spherical joints for thermal expansion

(5) Cooling Extruders

- Thermatic® series extruders
- Self starting polymer sealing system
- Spiral wrap barrels for extra cooling
- Dual pass heater coolers
- Low torque high output screws

(6) Closed Loop Cooling System

- Two closed loop temperature control systems
- Designed for 100° F (38° C) plant cooling water

(7) Board Die

(8) Board Calibration Unit

(9) Primary Haul-off Unit

(10) Cooling Transport Conveyor

(11) Secondary Puller

(12) Edge Profile Station

(13) Process Controls

- Epic III™ and Mesa III process control systems
- Allen-Bradley PLC or Siemens control systems
- Complete line integration with touch screen computer
- Recipe storage & production reporting & troubleshooting
- Discrete controls available on request

(14) Cross Cutting Machine

(15) Board Stacker

(16) Packing Unit

(17) Control Station